

STAND BASE:

Fix the stand base using the supplied 4 screws following the guidelines and using a screwdriver.



TECHNICAL SPECIFICATIONS

2.1 Bluetooth Version

80W(15Wx2+30Wx1) Output Power

Unit Dimension:15.5 x 17.5 x 121.2 cm

Material:Wood

High Power Speaker:

3"4 OHMS,20Wx2,5.25"4 OHMS,40Wx1

S/N Ratio: 75db

AC Cable: 220-240V 50/60Hz

USB and SD/MMC Slot for MP3,WAV. Maximum capacity 64 Gb

Aux In function

FM Radio

Frequency response: 87.5MHz – 108MHz

Remote control operation

PORTABLE MEDIA SPEAKER - DESCRIPTION OF PART

1. Power ON/OFF

2. AC cable

3. Bass knob

4. Bass reflex

5. SD/MMC card slot

6. USB Playback Port & USB 5V charging port for Android and Apple devices

7. AUX Input

8. Volume knob

9. Play/Pause button.

10. Previous song

(press one time to back FM channel or previous song; press continue long to rewind)

11. Next Song(Press one time to next FM channel or next song,press continue long to fast forward)

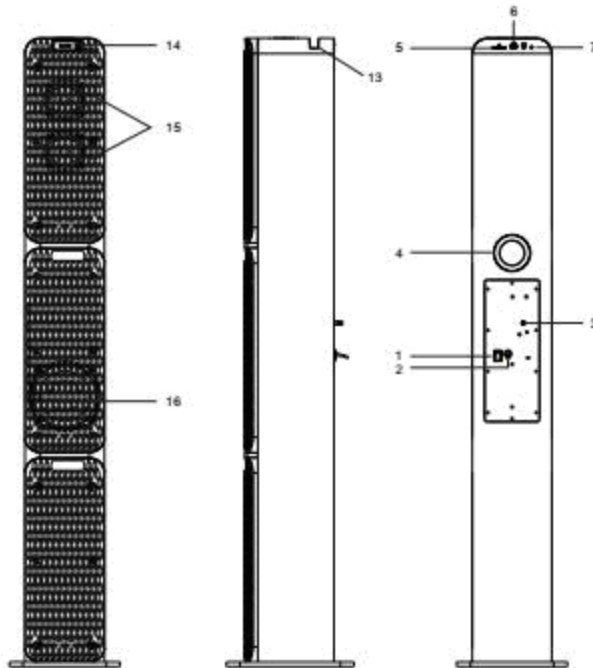
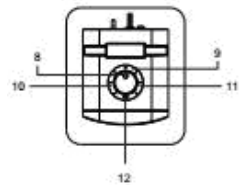
12. Mode switch

13. Stand slot

14. LED display

15. Whole frequency speaker

16. Subwoofer speaker



swiss+go®

GEMINIS



INSTRUCTION MANUAL BLUETOOTH TOWER SPEAKER

Thank you for purchasing **GEMINIS** Tower Speaker in order to make the best use of this product and to use it safely, please read the instruction manual carefully and keep it for future reference.

PRODUCT FEATURES

1. Produces stereo sound, bass reflex, 80W output power
2. Supports MP3,WAV format audio files from a USB flash driver or SD/MMC card. Maximum capacity 64 Gb, maximum 8 folders inside USB / SD.
3. Supports external audio player (MP3/MP4/PC.etc.) from Aux In while using the audio cable
4. AC Cable: 220-240V, 50/60Hz.
5. Speaker: 3",4 OHMS,20Wx2,5.25",4 OHMS,40Wx1
6. Output Power: 80W
7. Remote control operation
8. Bluetooth function
9. USB Reader
10. SD/MMC card slot (for MP3,WAV files)
11. Aux Input function
12. FM Radio function

IMPORTANT NOTES

1. While using this product it is possible, using "INPUT" key to switch between the Bluetooth- Aux In Function – USB – SD card – FM Radio
And using "Mode" button on remote control to switch USB - SD card – FM Radio – Bluetooth – Aux In functions
2. If the unit is powered on by ON/OFF button the volume level is as per default set up, but if the unit is turned on by remote control Power Button (Standby) the volume level is the one of the previous set up.

USB & SD MMC FUNCTIONS

1. **Play:** Set the switch to the ON position and power indicator is on, insert USB flash disk or SD card containing MP3 music files into the USB port or SD port, the machine will automatically play the music files.
2. **Mode Shift:** The default play sequence based on last-insert-first-played principle .If SD card is inserted into the SD port while the music file of USB flash disk is playing, the machine will automatically play the music files in the SD card.
3. **Volume Control:** While playing music, turn the volume knob clockwise to put the volume up turn the volume knob anti clockwise to put the volume down.
Based on remote control statue press "VOL-"key and "VOL+"key to control volume.

4. Music Selection Operation: While playing music, short press ◀◀ key or ▶▶ key on the machine to select to play previous and next song or remote control have the same effect.

5. Press ◀◀ key to pause, and press again to resume.

AUX IN FUNCTION

External Audio Input: Press "INPUT" key on the machine or remote control to press " Mode" to enter the LINE function. Connect the 3,5mm AUN in jack to an MP3 or mobile phone and start the playback.

FM RADIO

When machine is on, press "INPUT" key on the machine or remote control to press "Mode" to shift to radio. To scan frequency first, keep pressed ▶▶ on unit or on remote control to select radio channels. Press ◀◀ or ▶▶ key to select the programmed radio channels.

BLUETOOTH CONNECTION

1. Use INPUT on the machine or "MODE" button on remote control to switch to Bluetooth function. The LED display will show "BLUE"
2. Search for Bluetooth name "**GEMINIS**" and pair with an audio device, then insert the password "0000" if it is necessary only, after the connection a Beep tone will be heard.

NOTE: If the unit cannot be connected to the Bluetooth device, repeat the steps 1 & 2.

REMOTE - DESCRIPTION OF PARTS



1. Power Button
2. Volume Up
3. Play or Pause (scan FM button)
4. Previous Song (back FM Channel)
5. Next song (next FM channel)
6. Volume Down
7. Mode (Change function button)

ACCESSORY

Audio Cable	x1	Instruction Manual	x1
Remote Control	x1	Stand	x1